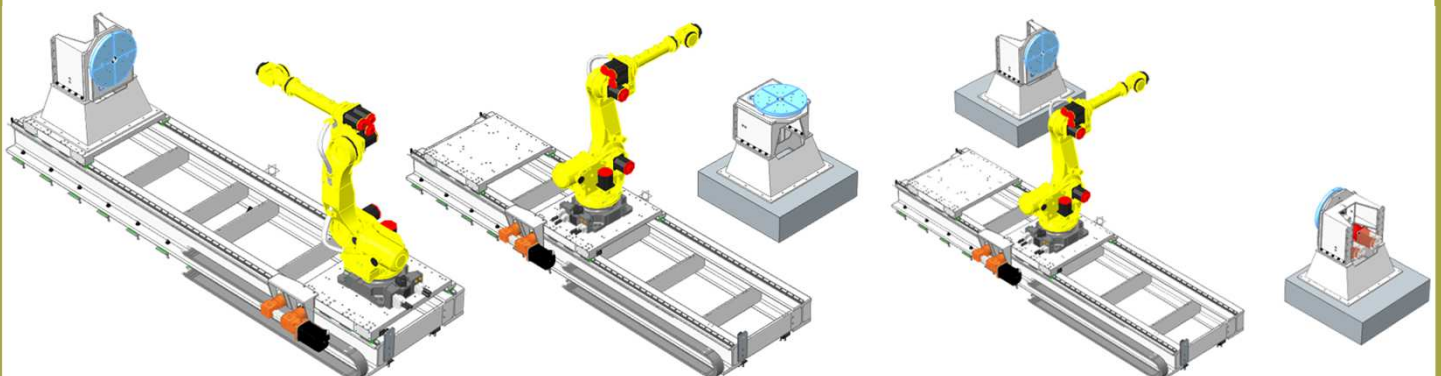
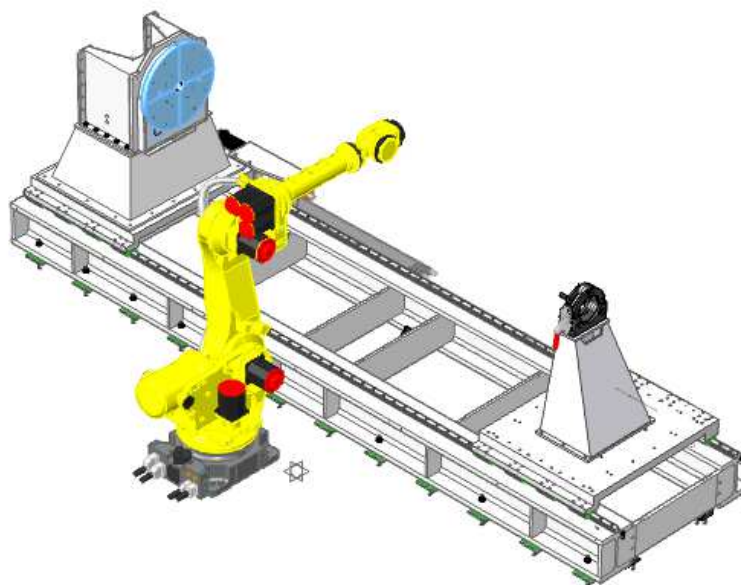




• **THE MODULAR ROBOTIZED CELL : A SUD OUEST SYSTÈME SOLUTION**

Our fully modular cell is made up of :

- 1 **Fanuc R2000 robot** with its electronic control cabinet.
- 1 linear track surmounted by two sub-assembly with :
 - On the first sliding unit : a **6T rotary positioner** from our range
 - On the second sliding unit : a **tailstock**
- Control by the **Fanuc robot controller** or **NC Siemens Sinumerik One**.
- Robot head : Quick effector system with an universal gripper tool **Schunk** at the end.





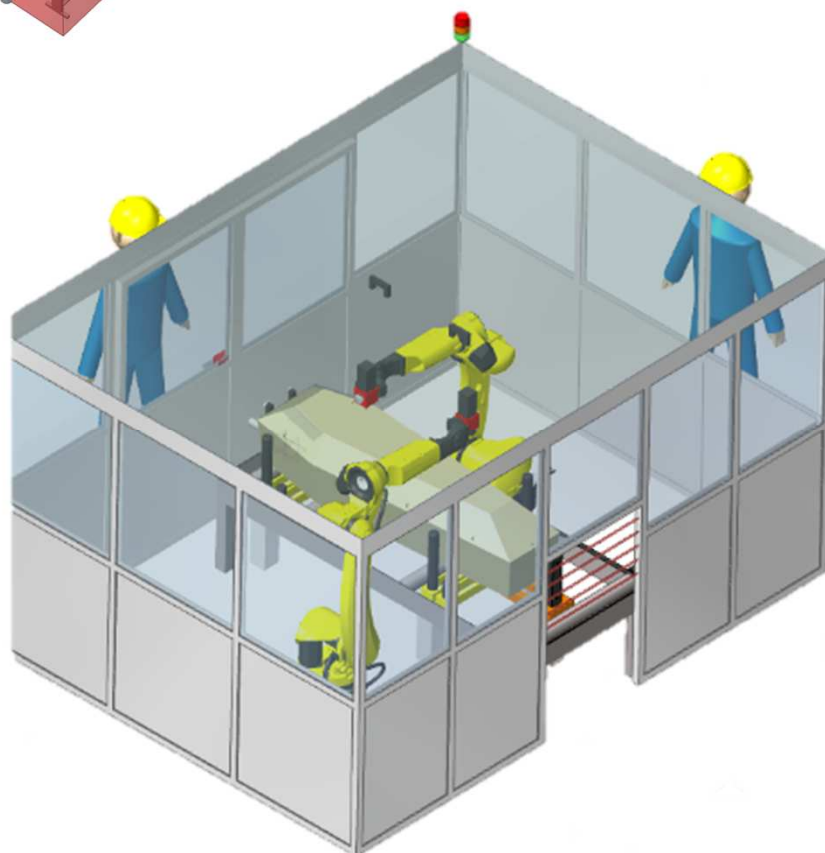
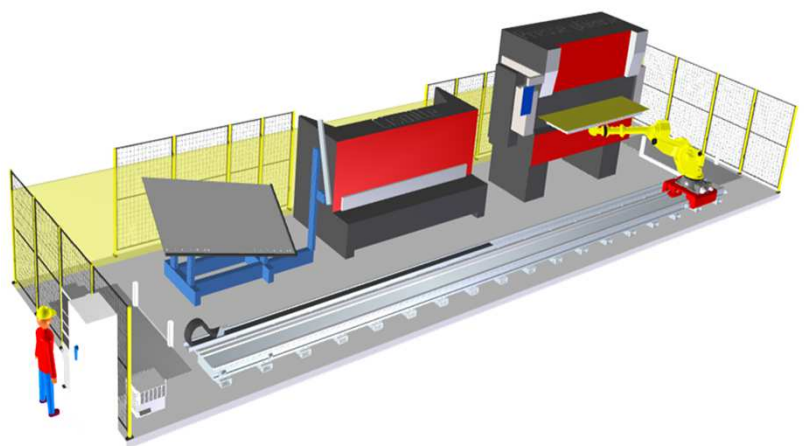
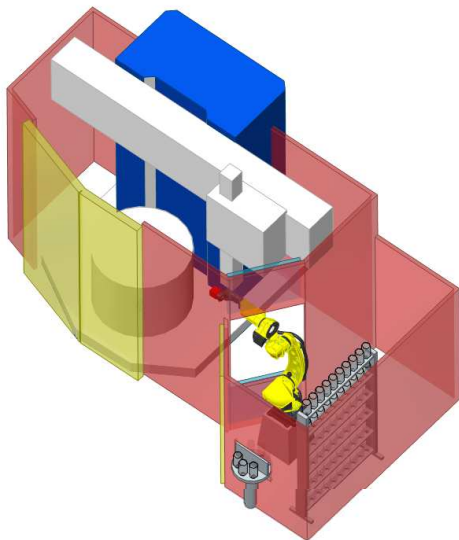
SUD OUEST SYSTEME
machines outils



Robotics

Machine or complete cell

- **EXAMPLES**



- Link : https://www.youtube.com/watch?v=pYT_GCpoji4